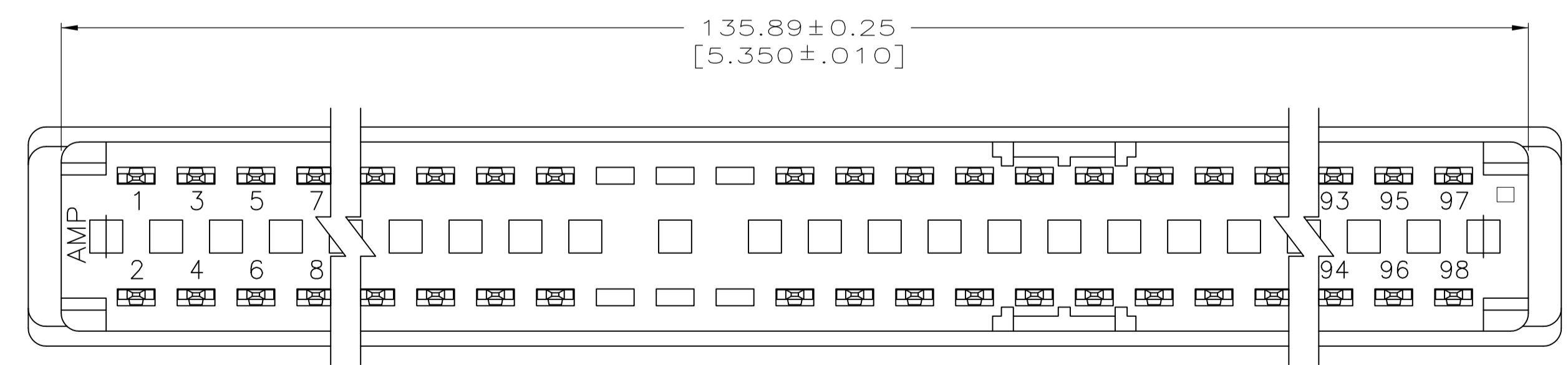
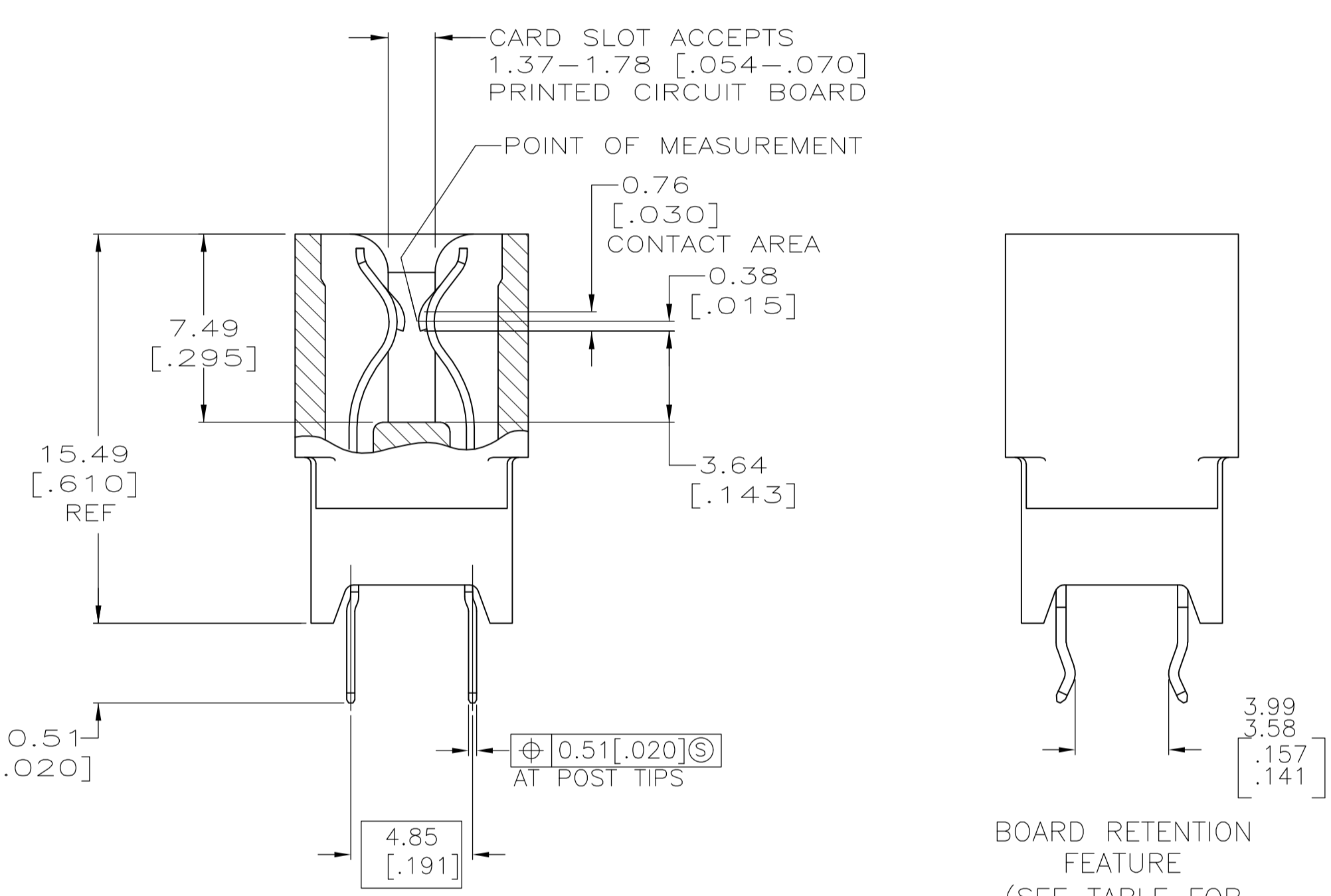
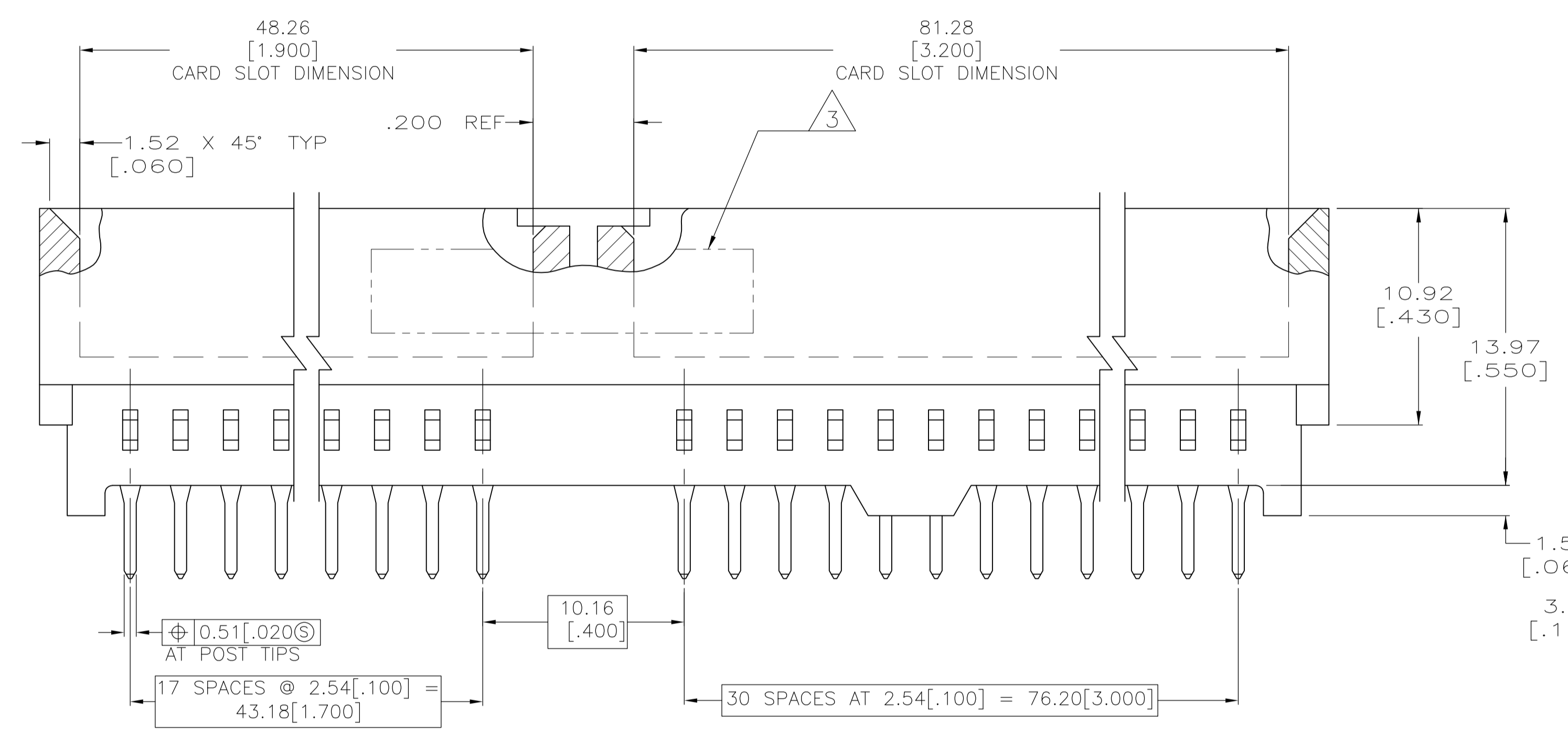
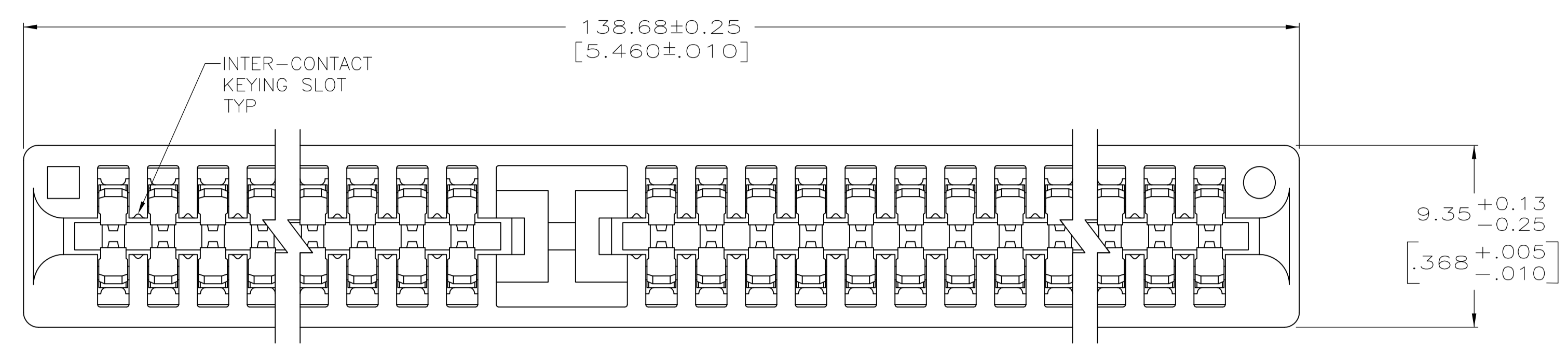


- MATERIAL:
HOUSING: GLASS FILLED POLYESTER; COLOR: BLACK.
CONTACT: PHOS BRONZE
- FINISH:
(SEE TABLE FOR GOLD PLATING) IN CONTACT AREA,
0.00254[.000100] MIN TIN-LEAD ON SOLDER POSTS, ALL
OVER 0.00127[.000050] MIN NICKEL
- AMP LOGO, TE PART NUMBER, DATE CODE AND CSA LOGO INK
STAMPED WHITE (HOT STAMPED OR LAZER PRINTED) IN THE APPROXIMATE
AREA SHOWN, EITHER SIDE PERMISSABLE, WHEN HOUSING SIZE PERMITS
- DATUMS AND BASIC DIMENSIONS ESTABLISHED BY CUSTOMER
- THE RETENTIVE FEATURE OF THIS CONNECTOR IS DESIGNED FOR
FULL SEATING IN 1.57±0.20[.062±.008] THICK CIRCUIT BOARDS.
FOR APPLICATIONS IN BOARDS OF OTHER THICKNESSES, CONTACT
TYCO ELECTRONICS
- FINISH: GOLD FLASH
- FINISH: 0.00038[.000015] MIN
- FINISH: 0.00076[.000030] MIN



OBSOLETE	176139-4
PART NUMBER	

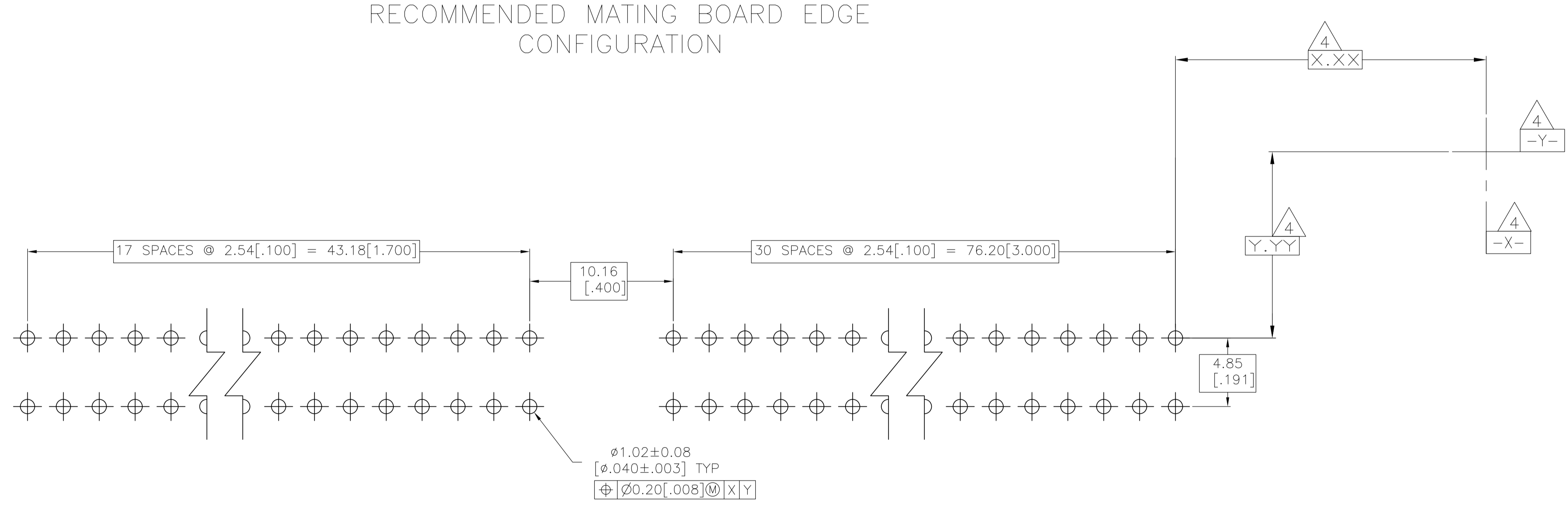
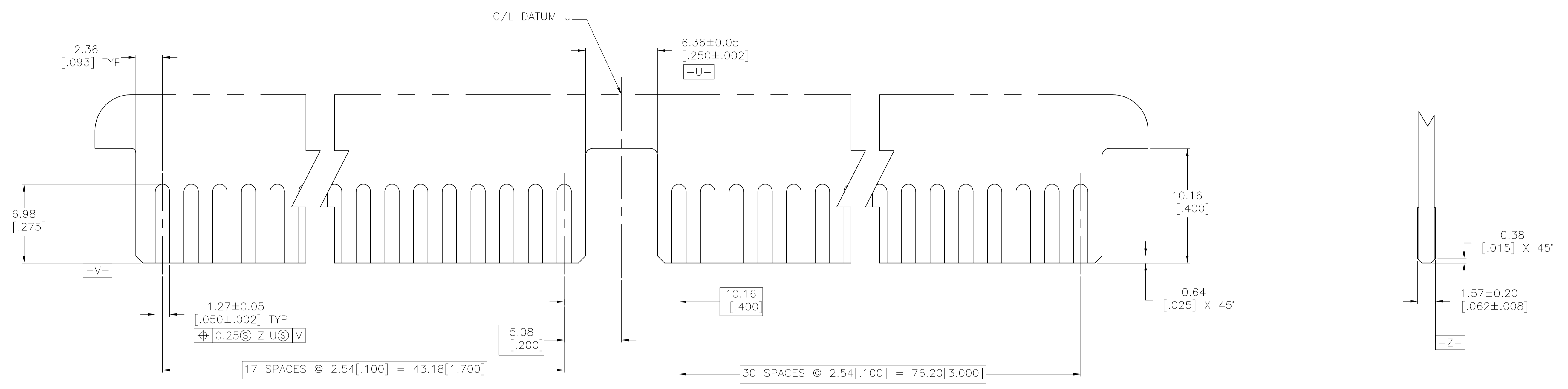
5, 6, 31, 32, 41, 42, 93, 94	△8	49	176139-3
5, 6, 31, 32, 41, 42, 93, 94	△7	49	176139-2
5, 6, 31, 32, 41, 42, 93, 94	△6	49	176139-1
BOARD RETENTION FEATURE LOCATION (SEE DETAIL Y)	FINISH	NO OF POSN	PART NUMBER

THIS DRAWING IS A CONTROLLED DOCUMENT.

DIMENSIONS: mm [INCHES]	TOLERANCES UNLESS OTHERWISE SPECIFIED:	0 PLC ± -	1 PLC ± -	2 PLC ± 0.13 [.005]	3 PLC ± -	4 PLC ± -	ANGLES ± °
MATERIAL SEE NOTE 1		FINISH SEE NOTE 2		WEIGHT		CUSTOMER DRAWING	

DRN RB/LA.MAYER 08MAR2008	AWF	CSA	AWF
AWF	AWF	AWF	AWF
Tyco Electronics Corporation Harrisburg, Pa 17105-3608		NAME	
CONNECTOR ASSY, EDGE CARD, 2.54 [.100] CENTERLINE		SIZE	
108-1248		SCALE 5:1	
114-13018		SHEET 1 OF 2	
A1 00779		REV AA	

LOC		DIST		REVISIONS				
P	LTR	DESCRIPTION	DATE	DN	APVD			
AA	00	SEE SHEET 1						



THIS DRAWING IS A CONTROLLED DOCUMENT.		DIN	RB/LA.MAYER	08MAR2008	Tyco Electronics Corporation Harrisburg, Pa 17105-3608
DIMENSIONS: mm [INCHES]		CHK	A.W.FRANTUM	08MAR2008	
TOLERANCES UNLESS OTHERWISE SPECIFIED:		APVD	S.FLICKINGER	08MAR2008	NAME
0. PLC	± -	PRODUCT SPEC			CONNECTOR ASSY, EDGE CARD, 2.54 [.100] CENTERLINE
1. PLC	± -	APPLICATION SPEC			108-1248
2. PLC	± 0.13 [.005]	SIZE			114-13018
3. PLC	± -	WEIGHT			—
4. PLC	± -	SCALE			5:1
ANGLES	± °	SHEET			2 OF 2
MATERIAL	SEE NOTE 1	FINISH			SEE NOTE 2
CUSTOMER DRAWING		DRAWING NO			100779
		REV			AA